



## Comair Rotron Specification Sheet

Specification Date: Dec 12, 2017

Version: 02

COMAIR ROTRON PART NUMBER: 17000537A  
COMAIR ROTRON MODEL NUMBER: CREC1225-3200

---

### A.) MOTOR:

RATED VOLTAGE:	100~240VAC $\pm$ 10%
OPERATING VOLTAGE RANGE:	90~264VAC
LOW-START VOLTAGE:	80 VAC
RUNNING CURRENT:	0.04~0.07 Amps
OPERATING FREQUENCY:	50~60Hz
INPUT POWER:	5 Watts
NOMINAL SPEED:	3,200 RPM $\pm$ 5% (At Free Delivery)
MOTOR TYPE:	Brushless EC
MOTOR PROTECTION:	By Integrated Circuit
LOCKED ROTORT PROTECTION:	IC protected
POLARITY PROTECTION:	Yes
AUTOMATIC RESTART CAPABILITY:	By Integrated Circuit
ROTATION:	Counter Clockwise when viewed from the impeller

### B.) MECHANICAL

DIMENSIONS:	120x120x 25mm
WEIGHT:	226g
BEARING TYPE:	Permanently Lubricated Ball Bearings
VENTURI:	Die Cast magnesium alloy, ED coating and powder coating
PROPELLER:	P.B.T+30% GF(Glass fiber) UL 94V-0



# Comair Rotron Specification Sheet

Specification Date: Dec 12, 2017

Version: 02

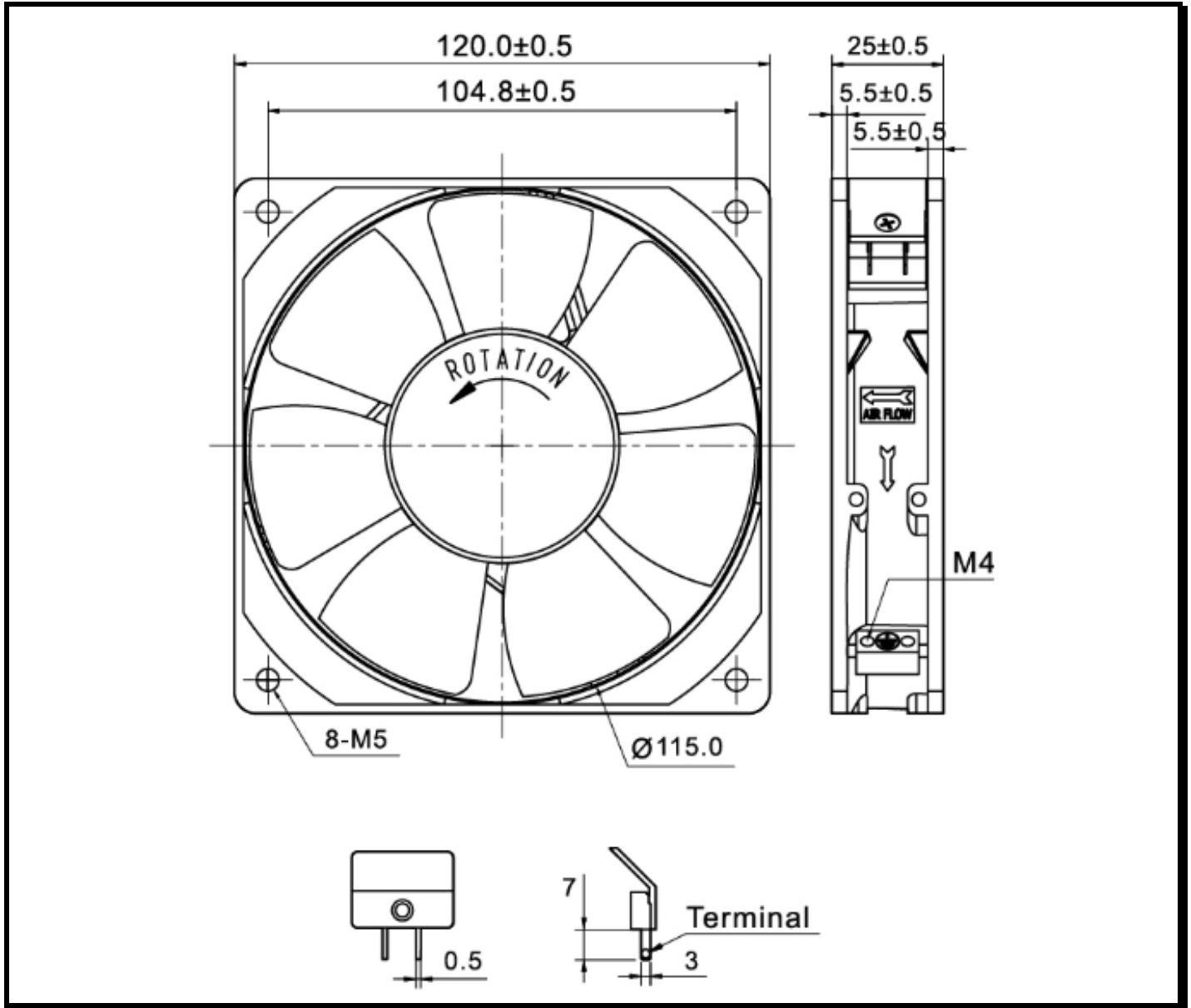


Figure 1

## C.) ENVIRONMENTAL

OPERATING TEMPERATURE:

-20°C to +70°C

STORAGE TEMPERATURE:

The storage temperature will be suggested at -20°C ~ 50°C to ensure a better performance.

HUMIDITY:

20 to 85% RH, non-condensing



# Comair Rotron Specification Sheet

Specification Date: Dec 12, 2017

Version: 02

## D.) PERFORMANCE CHARACTERISTICS

AIR FLOW:

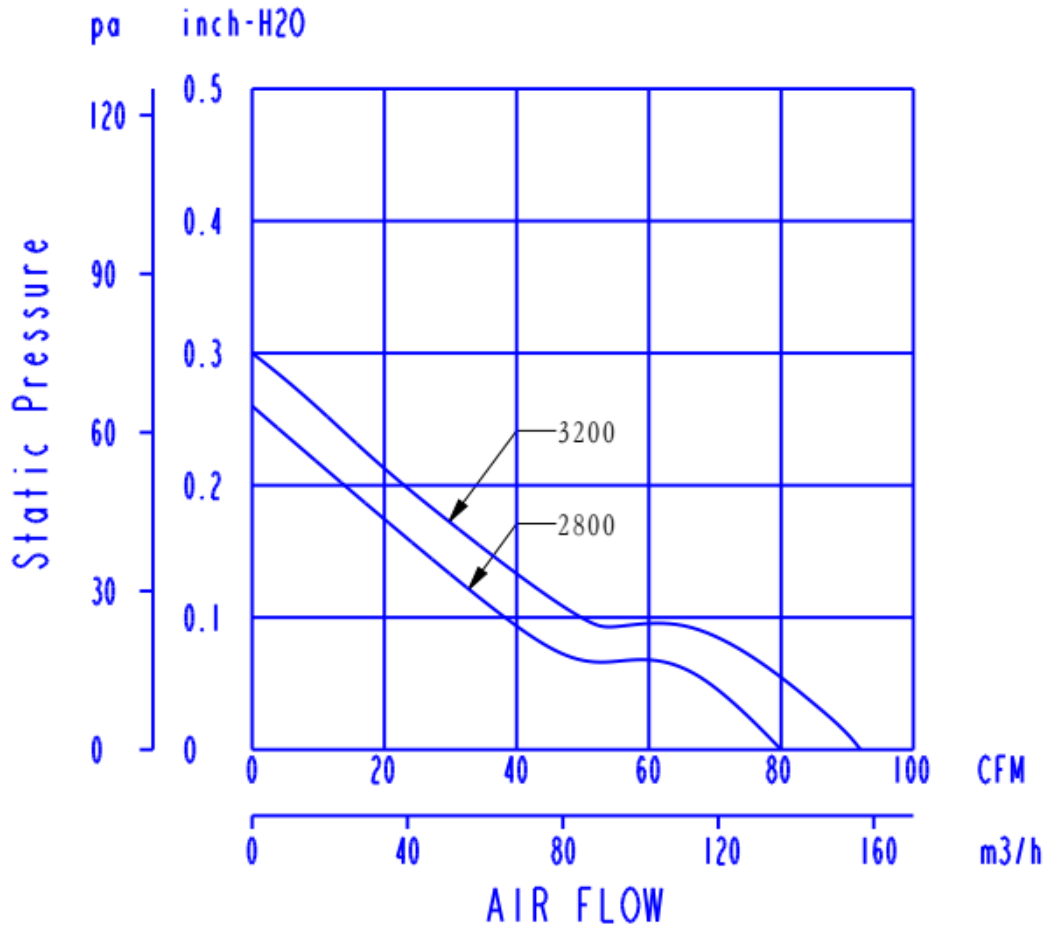
92 CFM  $\pm$  5%  
(Measuring at zero static pressure)

STATIC PRESSURE:

0.30" Inches of H2O  
(Measuring at zero airflow)

ACOUSTIC LEVEL:

47 dBA Max. at MAX. speed  
(Measured via Freely Suspended at 1 meter )





## Comair Rotron Specification Sheet

Specification Date: Dec 12, 2017

Version: 02

### E.) TERMINATION

Joint terminal:

suit with 0.5x3x7mm PIN

### F.) RELIABILITY

Bearing type	Temperature	Hours
Ball bearing	20°C	60,000
	40°C	50,000
	60°C	40,000
	90°C	20,000

### G.) SAFETY

UL, CUL, CE

### H.) FLAMMABILITY

The fan including all components meets a UL94V-0 rating or better.