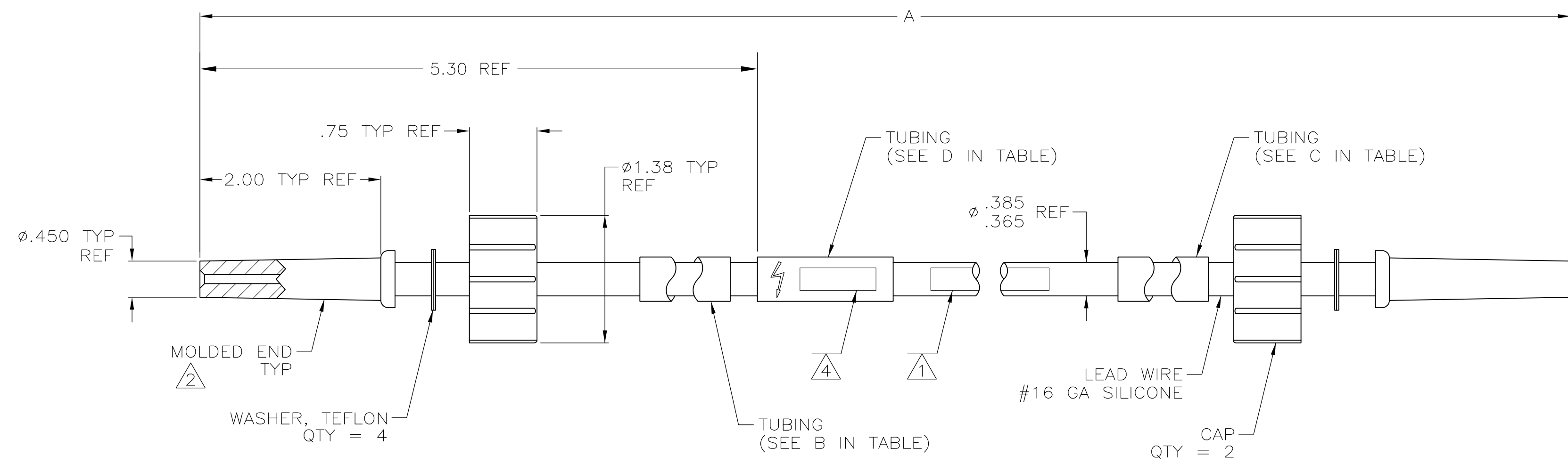


THIS DRAWING IS UNPUBLISHED. RELEASED FOR PUBLICATION - N/A .
 © COPYRIGHT N/A By - ALL RIGHTS RESERVED.

LOC	DIST	REVISIONS					
DF	S0	P	LTR	DESCRIPTION	DATE	DWN	APVD
		C		REV PER ECO-11-013601	15JUL11	PY	DE

- ① MARKED PER MIL-STD-130.
- ② TO MATE WITH AMP LGH-4 RECEPTACLE WITH 2.00 BARREL DEPTH.
- 3. COLOR OF LEAD WIRE: WHITE.
- ④ ERICSSON PART NUMBER (SEE TABLE).



RPM 517 920/4	YELLOW	ORANGE	ORANGE	18.00±.12	445555-3
RPM 517 920/3	YELLOW	BLUE	WHITE	18.00±.12	445555-2
RPM 517 920/2	YELLOW	BLUE	WHITE	24.00±.12	445555-1
ERICSSON P/N	D	C	B	A	PART NUMBER

THIS DRAWING IS A CONTROLLED DOCUMENT.		DWN T. SHUEY 25-AUG-88	TE TE Connectivity	
DIMENSIONS: INCHES		CHK M. GARDNER 08-SEP-88		
TOLERANCES UNLESS OTHERWISE SPECIFIED:		APVD M. GARDNER 08-SEP-88	NAME	
0 PLC ± -		PRODUCT SPEC	LEAD ASSEMBLY	
1 PLC ± -		APPLICATION SPEC	DOUBLE END	
2 PLC ± -		WEIGHT -	SIZE A2	RESTRICTED TO -
3 PLC ± -		CUSTOMER DRAWING	CAGE CODE 00779	DRAWING NO C-445555
4 PLC ± -		FINISH -	SCALE 1:1	SHEET 1 of 1
ANGLES ± -			REV C	

445555